



CHDA

FEATURES :

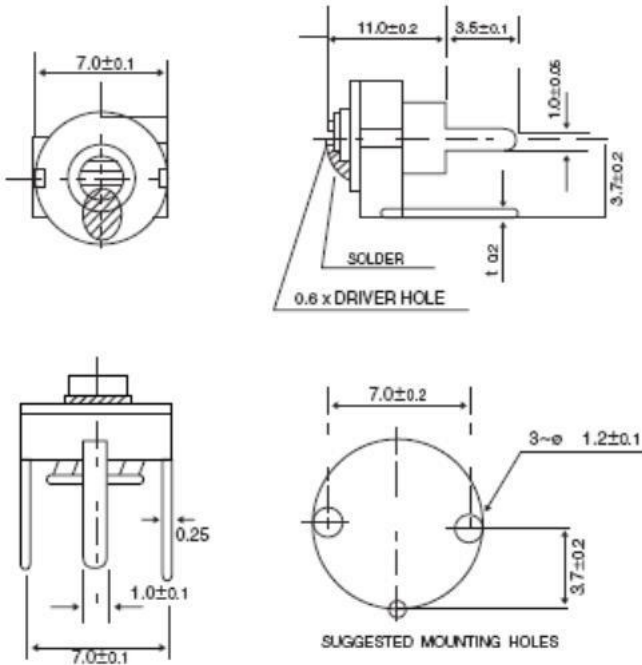
- Wide of capacity ranges
- Long durability of performance guaranteed by both stables
- And strong characteristics of capacity against heat humidity and coldness
- Sturdy mechanical structure against vibration or shock

SPECIFICATIONS

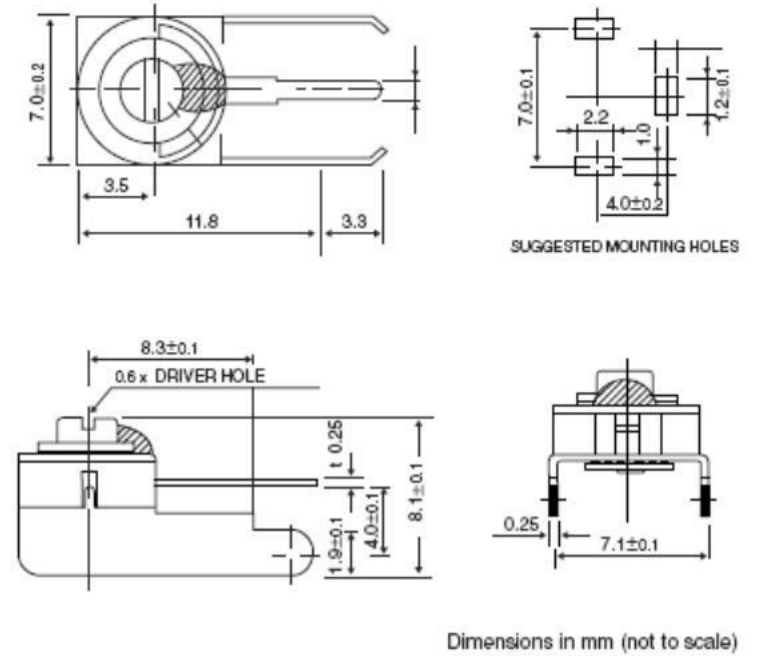
OPERATING TEMPERATURE RANGE	-30°C ~ +85°C
RATED WORKING VLOTAGE	100V DC
WITHSTANDING VOLTAGE	500V DC
INSULATION RESISTANCE	10 <sup>4</sup> MΩ min
ROTATION TORQUE	40 ~ 200 g.cm
SOLDERING TEMPERATURE	250 ± 5°C



NORMAL TYPE



VERTICAL TYPE



Dimensions in mm (not to scale)

RATINGS

PART NO.	MIN. CAP.	MAX. CAP.	TEMP. COEFF.		Q FACTOR @1MHZ Cmax
	(pF)	(pF)	PPM / °C		
CHDA(N,V)5R02A	2.0 max	5.0 <sup>+100</sup> / <sub>-0</sub> %	NP	0±200	>300
CHDA(N,V)1002A	2.5 max	10.0 <sup>+100</sup> / <sub>-0</sub> %	NP	0±200	>300
CHDA(N,V)2002A	3.0 max	20.0 <sup>+100</sup> / <sub>-0</sub> %	N	470±200	>300
CHDA(N,V)3002A	4.5 max	30.0 <sup>+100</sup> / <sub>-0</sub> %	N	550±300	>300
CHDA(N,V)5002A	6.0 max	50.0 <sup>+100</sup> / <sub>-0</sub> %	N	1400±300	>300
CHDA(N,V)7002A	8.5 max	70.0 <sup>+100</sup> / <sub>-0</sub> %	N	2200±300	>200
CHDA (N,V)1012A	12.0 max	100.0 <sup>+100</sup> / <sub>-0</sub> %	N	2200±300	>200

V: VERTICAL TYPE      N: NORMAL TYPE

Note: Specification are subject to change without notice. For more detail and update, please visit our website.