



CBEK: With Mounting flange

FEATURES:

- Tantalum case, Hermetically Sealed, Cylindrical, Radial-lead, Heteropolarity, with mounting flange.
- Commingled by Electrolytic Tantalum Capacitor and Electrochemical Capacitor, Small size, Super Capacitance
- Stable in Electrical Performances, High Reliability, Long life-span, Maximum in the Density of Capacitance and Energy
- Built-in as battery in Energy-converted-circuit & Power-pulsed-circuit, functioned as filtering, storage energy, time-delay circuit.

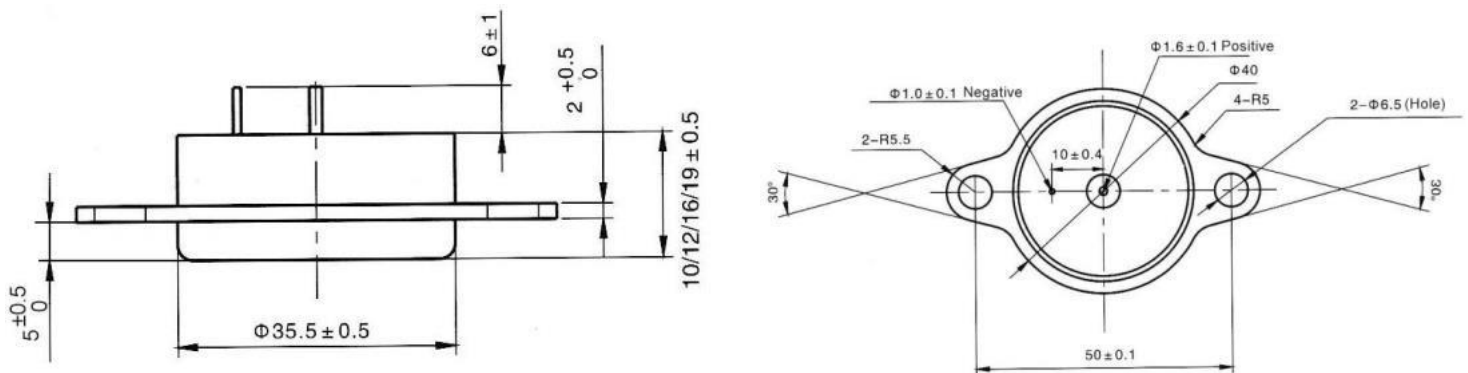
SPECIFICATIONS

Operating Temperature	-55°C to +125°C (to +125°C, with rated voltage derating)
Storage Temperature	-62°C ~ +130°C
Capacitance Tolerance	Q: (-10%~+30%), K: (±10%), M: (±20%)

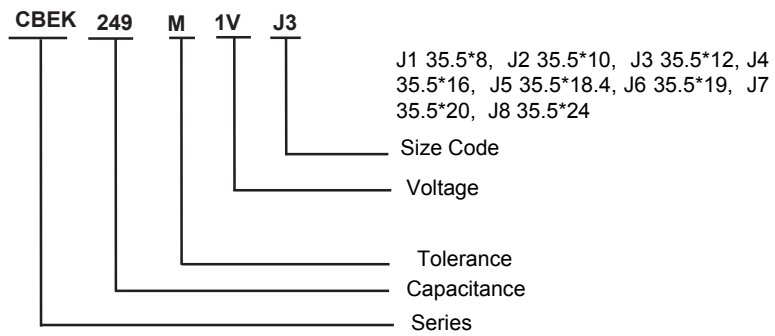


Dimensions (unit: mm)

Φ35.5x10/12/16/19 Layout



PART NUMBER EXAMPLE





Electrical Characteristics

Rated Voltage (V)	Category Voltage (V)	Surge Voltage (V)	Cap. (μF)	tgδ (%)	ESR (Ω) 1kHz	DCL (μA)		Impedance at (Ω) 100Hz	Capacitance Change at (%)		Dimensions DxH (mm)
						25°C	85°C, 125°C		-55°C	-55°C	
10 1A	6	11	100000	180	0.035	300	1800	1	-80	+160	36x12
			150000		0.025						36x16
16 1C	9.5	17.6	60000	165	0.035	300	1800	1	-80	+160	36x12
			90000		0.025						36x16
25 1E	15	27.5	36000	130	0.04	300	1800	1	-75	+160	36x12
			54000		0.035						36x16
35 1V	20	38.	24000	95	0.04	300	1800	1	-70	+160	36x12
			36000		0.035						36x16
50 1H	30	55	11000	65	0.1	300	2400	1.2	-60	+120	36x10
			12000		0.1						36x12
			16000		0.04						36x12
			18000		0.04						36x12
			24000		0.035						36x16
63 1J	38	70	8000	50	0.04	400	2400	1.4	-45	+90	36x12
			12000		0.035						36x16
80 1K	48	88	5600	40	0.06	500	3000	1.6	-40	+90	36x12
			8200		0.04						36x16
100 2A	60	110	2400	35	0.08	500	3000	1.8	-30	+80	36x12
			3800		0.05						36x12
			3600		0.05						36x16
			5700		0.05						36x16
110 2F	66	121	1200	35	0.08	500	3000	2	-25	+60	36x12
			1800		0.075						36x16
			3000		0.075						36x16
			4500		0.075						36x16
125 2Q	75	138	1100	30	0.08	500	3000	2.4	-25	+50	36x12
			1600		0.075						36x16
			2200		0.075						36x12
			3300		0.05						36x16
			3300		0.05						36x19

- Note:**
1. Please do not use multimeter through the measuring procedures (may cause irreversible damage and lead to discard).
 2. Capacitance and DF measured at 100Hz, $U_{-}=2.20^{0}_{-1.0}V$, $U_{+}=1.0^{0}_{-0.5}V$ Test only applied in series equivalent circuit.
 3. Voltage derating is applied at +125°C. (The DCL parameter should be read after 5 minutes when it connected to the circuit).
 4. Special size and demand could consult with us.