



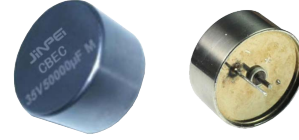
## CBEC

### FEATURES:

- Tantalum case, Hermetically Sealed, Cylindrical, Radial-lead, Heteropolarity
- Commingled by Electrolytic Tantalum Capacitor and Electrochemical Capacitor, Small size, Super Capacitance.
- Stable in Electrical Performances, High Reliability, Long life-span, Maximum in the Density of Capacitance is higher than CBEC series.
- Built-in as battery in Energy-converted-circuit & Power-pulsed-circuit, functioned as filtering, storage energy, time-delay circuit.

## SPECIFICATIONS

Operating Temperature	-55°C to +125°C (to +125°C, with rated voltage derating)
Storage Temperature	-62°C ~ +130°C
Capacitance Tolerance	Q: (-10%~+30%), K: (±10%), M: (±20%)

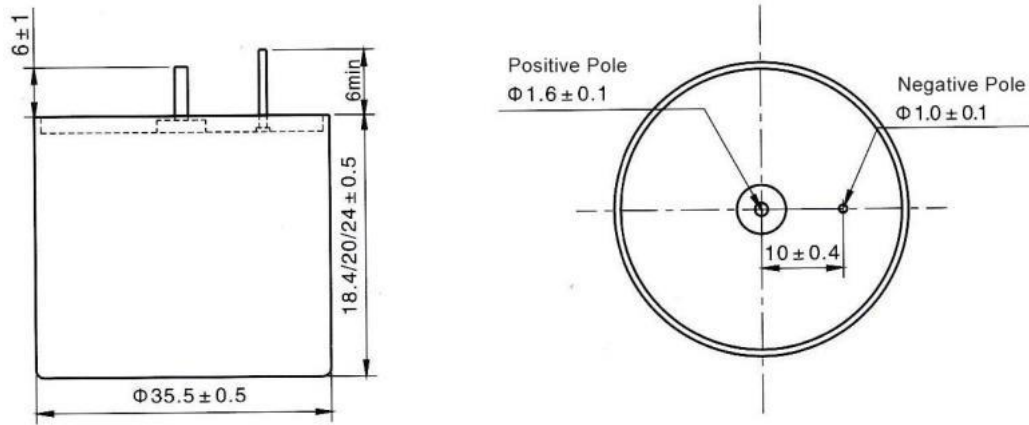


### ◆ Electrical Characteristics

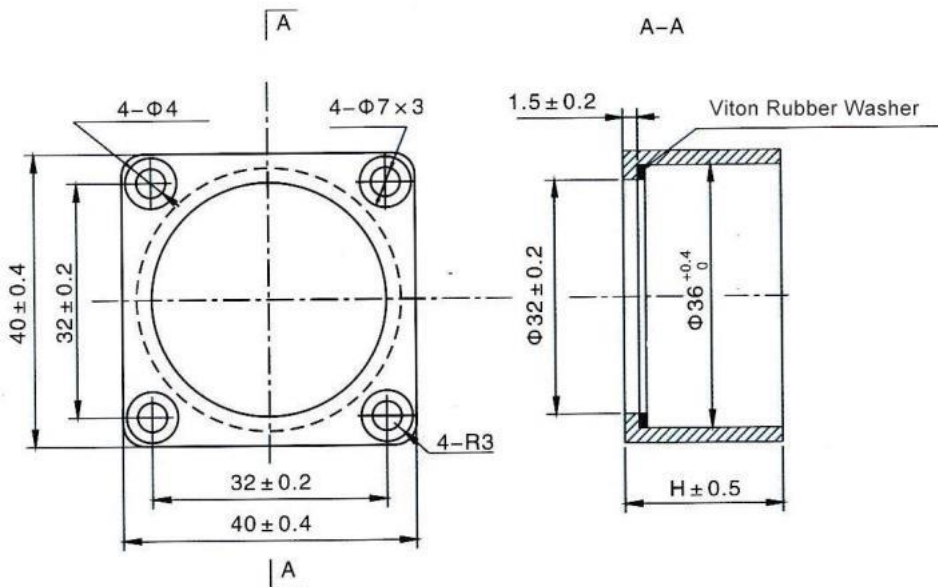
Rated Voltage (V)	Category Voltage (V)	Surge Voltage (V)	Cap. (μF)	tgδ (%)	ESR (Ω) 1kHz	DCL (μA)		Impedance at (Ω) 100Hz)	Capacitance Change at (%)		Dimensions D×H (mm)
						25°C	85°C, 125°C		-55°C	-55°C 85°C	
10 1A	6	11	20000 230000	190	0.025	300	1800	1	-80	+160	35.5x20 35.5x24
16 1C	9.5	17.6	120000 140000	170	0.025	300	1800	1	-80	+160	35.5x20 35.5x24
25 1E	15	27.5	70000 86000	140	0.025	300	1800	1	-75	+160	35.5x20 35.5x24
35 1V	20	38.5	50000 60000	100	0.025	300	1800	1	-70	+160	35.5x20 35.5x24
50 1H	30	55	30000	75	0.025	400	2400	1.2	-60	+160	35.5x18.4
			30000								35.5x20
			32000								35.5x20
			33000								35.5x20
63 1J	38	70	16000	55	0.035	400	2400	1.4	-50	+100	35.5x20
			18000								35.5x24
80 1K	48	88	11000 13000	45	0.035	500	2500	1.6	-40	+160	35.5x20 35.5x24
100 2A	60	110	4800	40	0.035	500	2500	1.8	-30	+80	35.5x20
			6000								35.5x20
			7500								35.5x24
125 2Q	75	138	2200	35	0.050	500	2500	2.4	-25	+50	35.5x20
			4500				3000	2.5	-25	+50	35.5x20
			4700				3000	2.4	-25	+50	35.5x20
			2800				2500	2.4	-20	+40	35.5x24
			4500				3000	2.0	-25	+45	35.5x24
			4700				3000	2.0	-25	+45	35.5x24

Dimensions (unit: mm)

Φ35.5x18.4/20/24 Layout (A Type)



Φ35.5x18.4/20/24 Mounting bracket



Dimensions (mm) code	H ± 0.5 mm
Φ35.5x18.4 J5	18.5
Φ35.5x20 J7	20
Φ35.5x24 J8	24

Note:

1. Please do not use multimeter through the measuring procedures (may cause irreversible damage and lead to discard).
2. Capacitance and DF measured at 100Hz,  $U_+ = 2.20^{0}_{-1.0}V$ ,  $U_- = 1.0^{0}_{-0.5}V$  Test only applied in series equivalent circuit.
3. Voltage derating is applied at +125°C. (The DCL parameter should be read after 5 minutes when it connected to the circuit).
4. Special size and demand could consult with us.

PART NUMBER EXAMPLE

